

Service Trolleys
Platform Trolley 900 mm

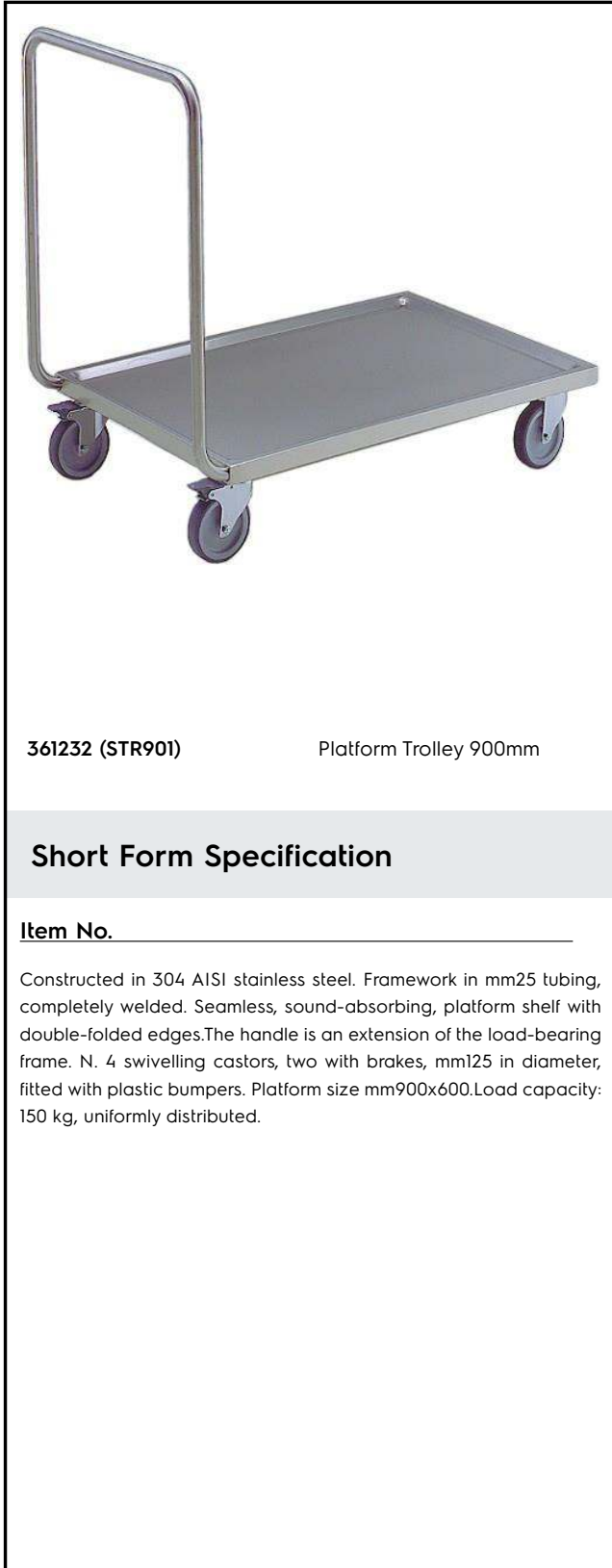
ITEM # _____

MODEL # _____

NAME # _____

SIS # _____

AIA # _____



361232 (STR901)

Platform Trolley 900mm

Short Form Specification

Item No. _____

Constructed in 304 AISI stainless steel. Framework in mm25 tubing, completely welded. Seamless, sound-absorbing, platform shelf with double-folded edges. The handle is an extension of the load-bearing frame. N. 4 swivelling castors, two with brakes, mm125 in diameter, fitted with plastic bumpers. Platform size mm900x600. Load capacity: 150 kg, uniformly distributed.

Main Features

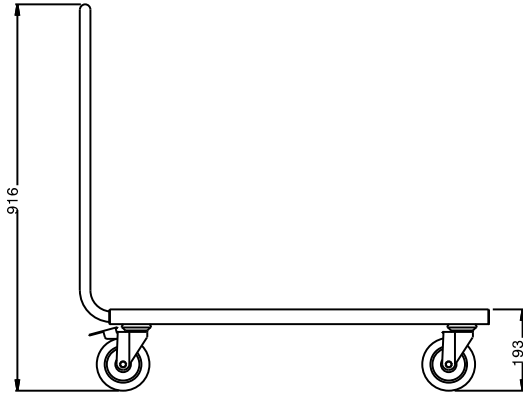
- Ideal to transport kitchenware and dishwashing racks.
- Framework in 25 mm tubing, completely welded.
- Load capacity of 150 kg uniformly distributed.
- Seamless sound-absorbing platform shelf with double-folded edges welded to the framework.
- Platform shelf size 900x600 mm.
- Handle is an extension of the load-bearing frame.
- 4 pivoting Ø 125 mm wheels, 2 of which with brakes, fitted with plastic bumpers

Construction

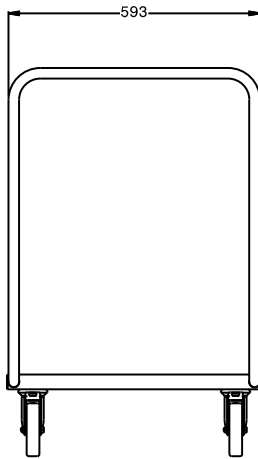
- Constructed entirely in 304 AISI stainless steel.

APPROVAL: _____

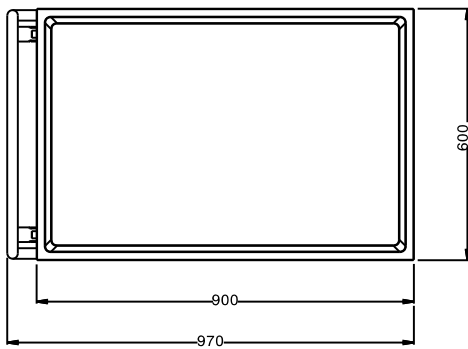
Front



Side



Top



Key Information:

External dimensions, Width:	
361232 (STR901)	970 mm
External dimensions, Depth:	600 mm
External dimensions, Height:	900 mm
Wheel material:	Zinc plated
Wheel diameter:	Ø 125
Net weight:	15 kg